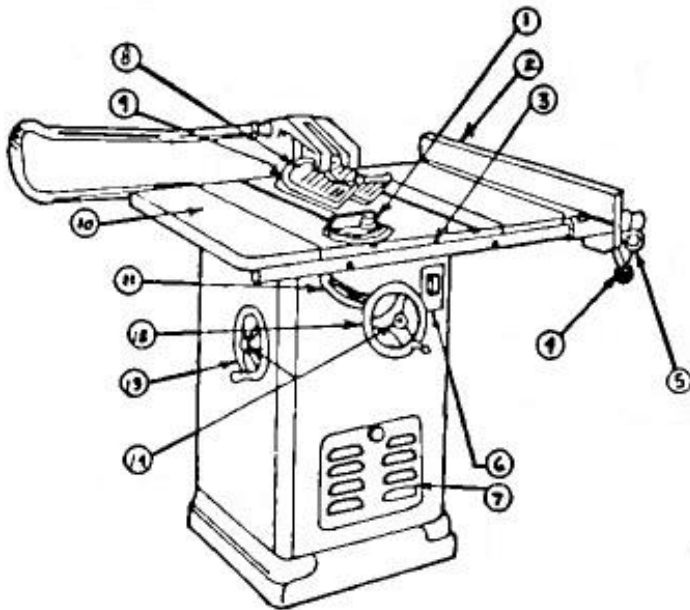


Table Saw Safety

1. Have the instructor check setup before turning on the saw.
2. Stand slightly to one side of the cutting path; do not stand in line with the blade. This protects you from being hit if a kickback occurs.
3. Always keep your hands and fingers 4 to 6 inches away from the cutting path.
4. Make sure others are not in the safety zone around the table saw when you are using the saw.
5. Use the correct blade for the type of cutting being done. For example, do not use a rip blade to crosscut wood.
6. Properly position the fence, miter gauge, outfeed stand, and other accessories before starting the saw. Do not forget to push the stick for narrow stock.
7. The blade should not be raised more than 1/4 inch above the stock. The blade speed is the same no matter how high you raise the blade.
8. Make sure the stock is properly prepared before using the table saw. Warp must be removed from the wood's surface and at least one edge must be surfaced before cutting it.



1. Miter Gauge
2. Fence
3. Guide Bar
4. Fence Clamp
5. Fence Micro-Set Knob
6. Switch
7. Clean-Out
8. Saw Guard
9. Blade Insert
10. Table
11. Tilt Scale
12. Raising Hand Wheel
13. Tilt Hand Wheel
14. Lock Knob